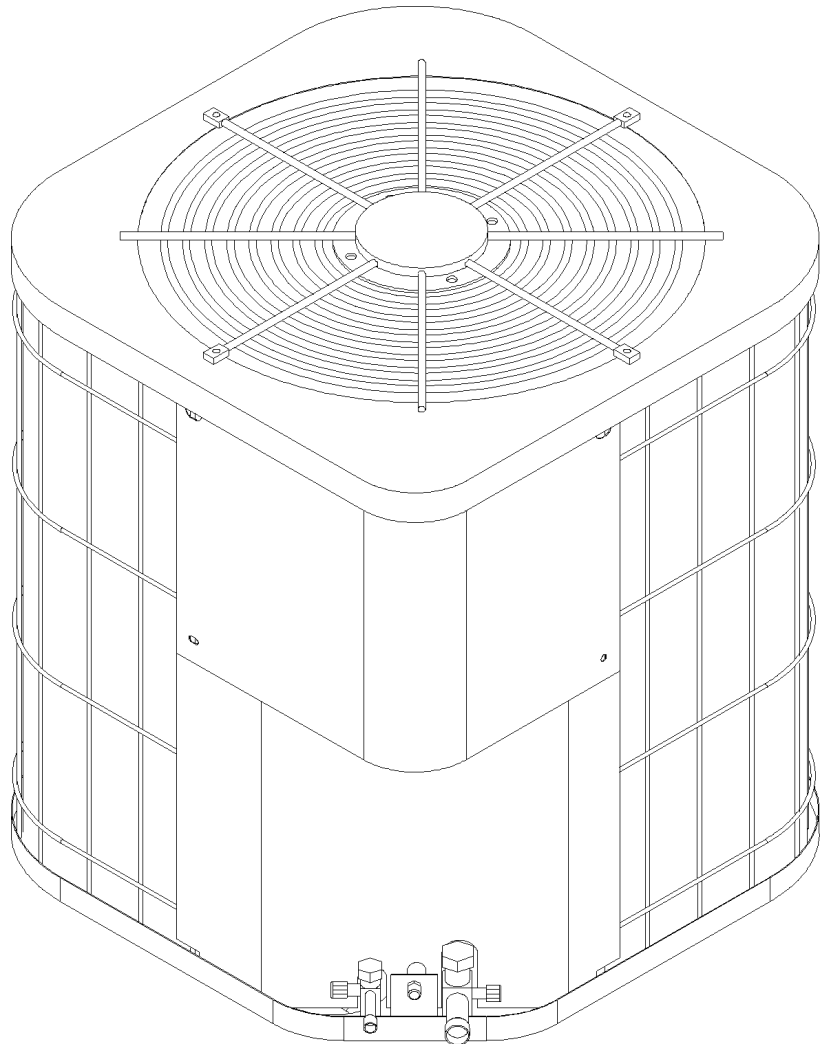


## CPKT Remote Heat Pumps

CPKT24-1  
CPKT30-1  
CPKT30-1A  
CPKT36-1  
CPKT42-1



This manual is to be used by qualified technicians only.

© 2008 Goodman Manufacturing Company, L.P. ♦ 5151 San Felipe, Suite 500 ♦ Houston, TX 77056

# Important Information

---

## Index

Functional Parts List .....	3
Illustration and Parts .....	4 - 5

*Views shown are for parts illustrations only, not servicing procedures.*

### Text Codes:

AR - As Required

NA - Not Available

NS - Not Shown

00000000 - See Note

QTY - Quantity Example (QTY 3) (If Quantity not shown, Quantity = 1)

M - Model Example (M1) (If M Code not shown, then part is used on all Models)

### Expanded Model Nomenclature:

Example M1 - Model#1 M2 - Model#2 M3 - Model#3
---

Goodman Manufacturing Company, L.P. is not responsible for personal injury or property damage resulting from improper service. Review all service information before beginning repairs.

Warranty service must be performed by an authorized technician, using authorized factory parts. If service is required after the warranty expires, Goodman Manufacturing Company, L.P. also recommends contacting an authorized technician and using authorized factory parts.

Goodman Manufacturing Company, L.P. reserves the right to discontinue, or change at any time, specifications or designs without notice or without incurring obligations.

For assistance within the U.S.A. contact:  
Consumer Affairs Department  
Goodman Manufacturing Company, L.P.  
7401 Security Way  
Houston, Texas 77040  
877-254-4729-Telephone  
713-863-2382-Facsimile

For assistance outside the U.S.A. contact:  
International Division  
Goodman Manufacturing Company, L.P.  
7401 Security Way  
Houston, Texas 77040  
713-861-2500-Telephone  
713-863-2382-Facsimile

# Functional Parts

## Part

## No: Description:

---

CAP050300370RSS	CAPACITOR 5/30/370V (M1)
CAP050350370RSS	CAPACITOR 5/35/370V (M2, M3)
CAP050400370RSS	CAPACITOR 5/40/370V (M4, M5)
B9266833AS	COMPRESSOR #H25B20QABCA (M1)
CR30K6PFV960	COMPRESSOR H27A28QCBCA (706873-1501-00) (M2)
CR35K6PFV960	COMPRESSOR H27A32QCBCA (706920-1501-00) (M4)
CR30K6PFV960	COMPRESSOR H27B28QCBCA (707110-1501-00) (M3)
CR35K6PFV960	COMPRESSOR H27B32QCBCA (707107-1501-00) (M5)
0131M00007PS	COND MOTOR 1/4 HP, 1 SP, 8 PL (M4, M5)
0131M00009PS	COND MOTOR 1/6 HP, 1 SP, 8 PL (M1, M2, M3)
CONT2P025024VS	CONTACTOR 25 AMP, 2P, 24V (M1, M2, M3)
CONT2P030024VS	CONTACTOR 30 AMP, 2P, 24V (M4, M5)
B1360719	CUT-OUT SWITCH, LOW PRESSURE (M2, M3, M4, M5)
PCBDM101S	DEFROST CONTROL BOARD (M2, M3, M4, M5)
B1370803	DEFROST THERMOSTAT

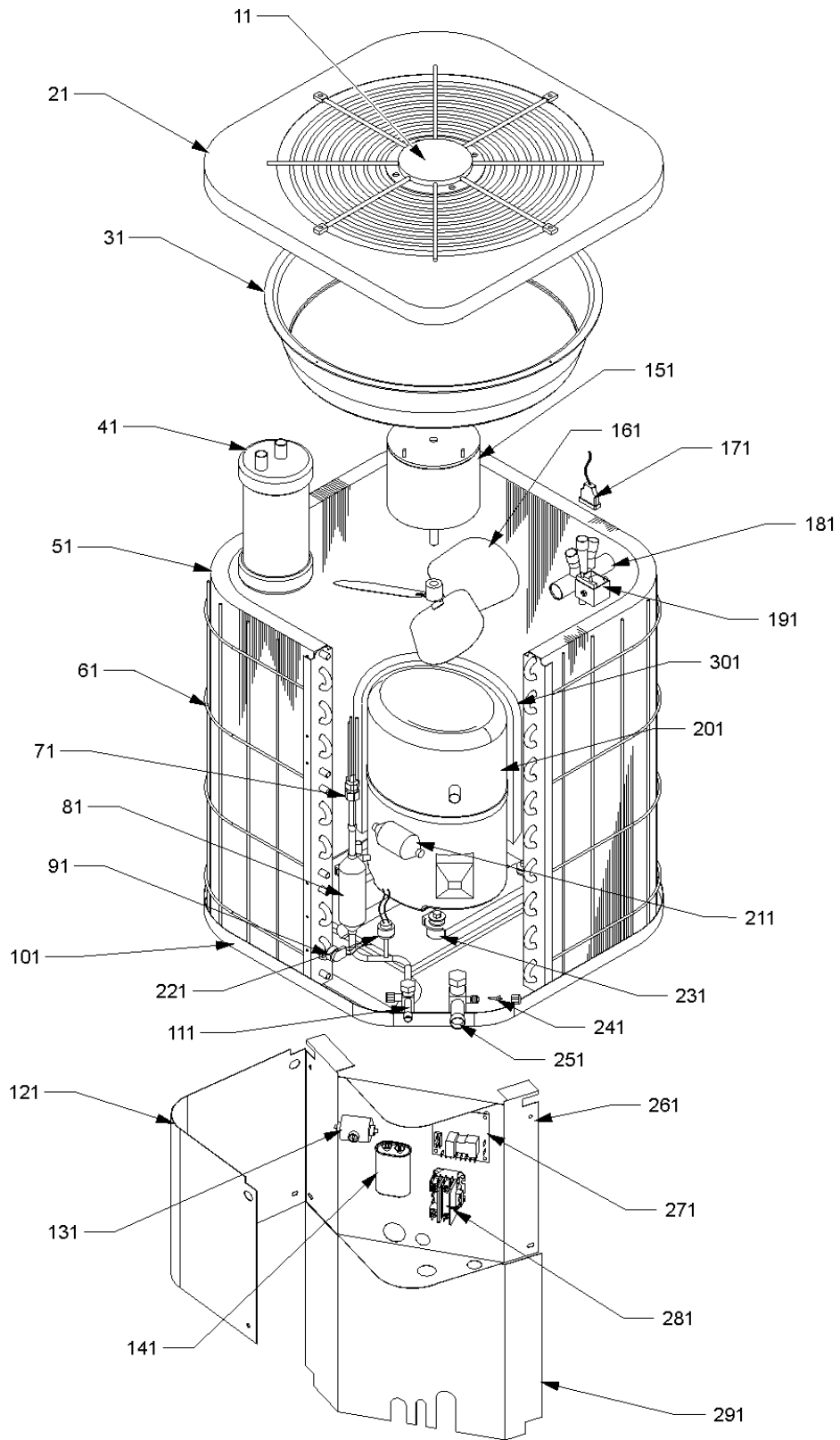
### SPECIAL PARTS

RP-194H REPAIR PARTS MANUAL

#### Expanded Model Nomenclature

M1 - CPKT24-1
M2 - CPKT30-1
M3 - CPKT30-1A
M4 - CPKT36-1
M5 - CPKT42-1

# Replacement Parts List



# Replacement Parts List

Ref. Part No:	Ref. Part No:	Description:	Description:
<i>Image 1:</i>			
11	B1376916	FAN GRILLE GUARD 22"	241 B1787000 VALVE CORE (QTY 2)
21	1779412P	TOP PANEL 22"	251 B1282566 3/4" SERVICE VALVE (M1, M2, M3)
31	1787815	VENTURI	251 B12825167 7/8" SERVICE VALVE (M4, M5)
		Plastic Venturi will be converted to metal (17878-18) approximately January 1, 1998.	261 1787623 CONTROL BOX
41	B1226206	3/4" ACCUMULATOR (M1, M2, M3)	271 PCBDM101S DEFROST CONTROL BOARD (M2, M3, M4, M5)
41	B1226207	7/8" ACCUMULATOR (M4, M5)	281 CONT2P025024VS CONTACTOR 25 AMP, 2P, 24V (M1, M2, M3)
51	1262224	TUBING ASSY, COND COIL (M4, M5)	281 CONT2P030024VS CONTACTOR 30 AMP, 2P, 24V (M4, M5)
51	1284630	TUBING ASSY, COND COIL (M1, M2, M3)	291 1787709P ACCESS PANEL 30" (M1, M2, M3)
61	B1259630	INLET GRILLE 30" (M1, M2, M3)	291 1787717P ACCESS PANEL 37.5" (M4, M5)
61	B1259637	INLET GRILLE 37.5" (M4, M5)	301 B1488800 COMPRESSOR SOUND BLANKET (M2, M4, M5)
71	B2114641	FLOWRATOR (M1)	311 B260S8291 SPRAY PAINT (HIGH GLOSS BAHAMA BEIGE)
71	B2114652	FLOWRATOR (M2, M3)	Expanded Model Nomenclature
71	B2114659	FLOWRATOR .059 [COND] (M4)	M1 - CPKT24-1
71	B2114665	FLOWRATOR .065 [EVAP] (M5)	M2 - CPKT30-1
81	B1219201S	BI-FLOW FILTER DRIER	M3 - CPKT30-1A
91	B1370803	DEFROST THERMOSTAT	M4 - CPKT36-1
101	1787210P	FORMED BOTTOM PAN	M5 - CPKT42-1
111	20163801S	3/8" SERVICE VALVE	
121	1787624P	CONTROL BOX COVER	
131	B1141670	START ASSIST 305C20A CERA-MITE (M2, M3, M4, M5)	
141	CAP050300370RSS	CAPACITOR 5/30/370V (M1)	
141	CAP050350370RSS	CAPACITOR 5/35/370V (M2, M3)	
141	CAP050400370RSS	CAPACITOR 5/40/370V (M4, M5)	
151	0131M00007PS	COND MOTOR 1/4 HP, 1 SP, 8 PL (M4, M5)	
151	0131M00009PS	COND MOTOR 1/6 HP, 1 SP, 8 PL (M1, M2, M3)	
161	B1086750S	FAN BLADE 22", 3 BLADE, 24°	
171	B1225020	SOLENOID COIL CORD W/1/4" TERMINAL	
181	B1227317S	REVERSING VALVE (M4, M5)	
181	B1227316S	REVERSING VALVE RANCO #V6-312081-1GD (M1, M2, M3)	
191	B1225017	REVERSING VALVE SOLENOID COIL 24V (M2, M3, M4, M5)	
201	B9266833AS	COMPRESSOR #H25B20QABCA (M1)	
201	CR30K6PFV960	COMPRESSOR H27A28QCBCA (706873-1501-00) (M2)	
201	CR35K6PFV960	COMPRESSOR H27A32QCBCA (706920-1501-00) (M4)	
201	CR30K6PFV960	COMPRESSOR H27B28QCBCA (707110-1501-00) (M3)	
201	CR35K6PFV960	COMPRESSOR H27B32QCBCA (707107-1501-00) (M5)	
211	B1219301	1/2" MUFFLER (M1, M2, M4, M5)	
211	B1219300	MUFFLER 3/8 X 3/8 (M3)	
221	B1360719	CUT-OUT SWITCH, LOW PRESSURE (M2, M3, M4, M5)	
231	B1339530	COMPRESSOR GROMMET (M1, M3)	
231	B1339533	COMPRESSOR GROMMET (M2, M4, M5)	